

# KP7MX series

## 80mm/58mm thermal paper Kitchen Printer With paper No-pick-up alarm

Paper-end detection patent: 200910111341.5  
 No-pick-up detection patent(China): 200920137021.2  
 PCT/CN09/070668  
 No-pick-up detection patent(Germany): 21 2009 000 168.6  
 No-pick-up detection patent(Japan): 2011-600067

### MODEL EXPLICATION

#### KP7MXXxxxxxx

1: 3 inch thermal printer 80mm  
 0: 2 inch thermal printer 58mm

Printer type  
 H: high-speed thermal printer (250mm/s)  
 M: middle-speed thermal printer (150mm/s)

E: Ethernet  
 U: USB (slave)  
 3: RS232  
 W4: 433 wireless  
 WB: BT  
 WF: Wifi



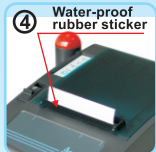
① WIFI port



② World original patented oblique paper sensor



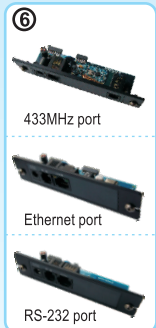
③ Movable cutter is on the upper side



④ Water-proof rubber sticker



⑤



⑥

Light keeps flashing if nobody pick up the receipt.



Can be mounted on wall

No-pick-up alarm

## Unique Functions

- ※ With receipt no-pickup sensor (worldwide original patent). Any receipt not been picked up will cause alarm by flash and sound. It is very useful for use in the noisy kitchen. Match with Pinnacle's Printer Server, the receipt will never be lost and could be printed by other printers via CSMA wireless communication net, if any malfunction occurs.
- ※ Special paper cutter design (the movable cutter is on the upper side). Paper jam can be easily eliminated by repowering the device; while using printers (brand E,C) of this kind in market whose movable cutter is designed in the front seat, you must move the gear to withdraw the cutter manually (the cutter cannot withdraw, if the cover isn't open).
- ※ Oblique photoelectric detector (worldwide original patent). It can detect paper precisely, whatever the paper end is stick to the paper roll, or the KP7MX is placed in different places (on the table or mounted on the wall).
- ※ Never lose any receipt. Ensure every piece of receipt in abnormal state such as no paper, paper jams, cover opened and power lose
- ※ With cutter easy replacement structure. Replace cutter quickly without opening the cover.
- ※ With water-proof rubber sealing at the paper outlet. Able to prevent from water and oil, which greatly improves printer's reliability while being used in high polluted or greasy environment.
- ※ We are the first one that introduces wireless 433MHz and WIFI technology in kitchen printer, which makes it avoid the failure contact to communication interfaces because of grease dirt.
- ※ The most complete options of port module in the world. Recommendation: WIFI, CSMA 433MHz (300M long distance), Ethernet port, RS232 port. And there also has parallel/USB/ wireless 2.4G P-tooth /BT port for your option.
- ※ RF 2.4G/RF433MHz adopts Pinnacle's patent CSMA protocol (P-tooth) of high stabilization, which is able to establish reliable and stable many-to-many communication.

## Advanced functions and features

- ※ High speed printing: 250mm/s (KP7MXHX).
- ※ Unique easy loading design makes it convenient to install paper roll.
- ※ Able to be mounted on the wall to save the kitchen space.
- ※ Water-proof, oil-proof design, easily cleaned.



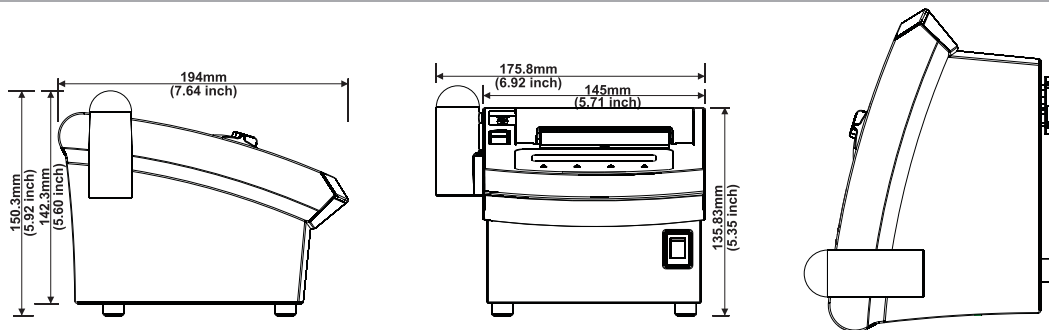
Watch WeChat Aclas408

**ACLAS**<sup>®</sup>  
 www.aclas.tw

# Specifications

Model	KP7M1HX	KP7M1MX
Speed	250mm/s	150mm/s
Power supply	DC24V/2A	DC12V/2A
Printing method	Thermal printing	
Resolution	203dpi	
Paper	Paper type	thermel paper
	Paper width	79.5mm ± 0.5mm
	Paper roll diameter	Φ80mm
Device type	easy loading mechanism	
Print Characters	Character set	ANK character set, 12 × 24 dots, 24 × 24 dots
	Columns	48 column
Barcodes	UPC-A, UPC-E, Code 39, Code 128, EAN 128, Jan8Jan13(EAN), Interleaved 2 of 45, Codabar	
Receive buffer	128KByte	
Alarm	Warmed by sound and flash light	N/A
Software	Print server	N/A
Interface	Ethernet, RS232, USB, WiFi 802.11b, Blue-tooth, P-tooth, 433MHz	
Pulse activation life	150km	
Cutting knife life	50 million	
Work temperature	0°C ~ 40°C	
Work humidity	5% ~ 85%	
Drive	Win8/WinME/Win2000/WinNT/WinXP, compatible with EPSON	
Instruction set	ESC/POS command	
Dimension	175.8X194X150.3mm	

# Dimensions



Note 1: \* Under developing function.  
 Note 2: Functions and appearance are subject to practicality.  
 Note 3: Work method of wireless based on CSMA to avoid disturbing among different devices.

# Network diagram of kitchen and restaurant

